



TruCell2 Verification Kit

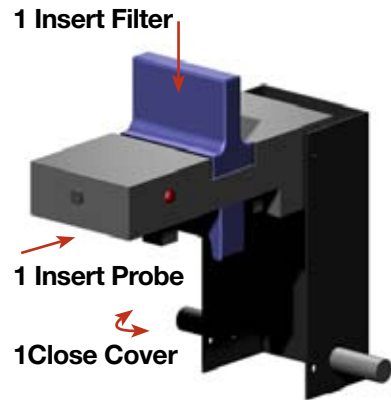
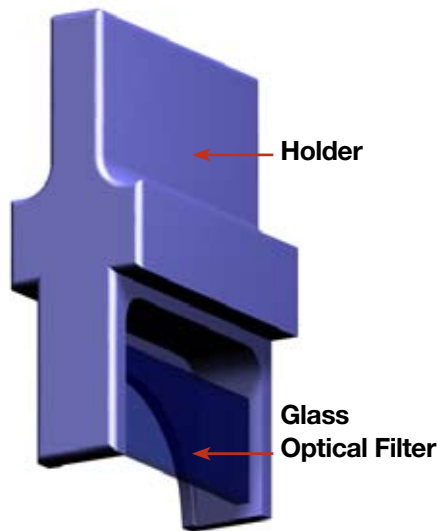
The TruCell®2 sensor verification kit accessory has been developed in order to allow users to document that their TruCell2 sensor is still operating in a reproducible way. A full verification kit consists of a probe holder and four filters having an optical loss of 0.5, 1.5, 2.5, and 3.5 AU. Any subset of these filters can also be used for verification.

A verification filter consists of a glass optical filter mounted in a user-friendly holder. Each verification filter is measured at the Finesse calibration laboratory using NIST-traceable methodology, and is shipped with a certificate of conformance.

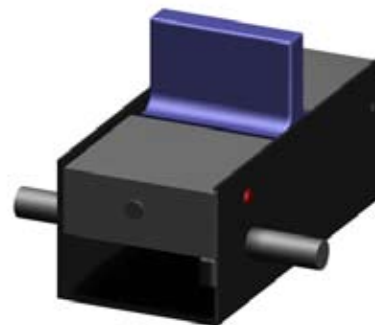
Verification Kit

CDS-VDK-KIT	Consists of the filter holder and four filters (OD=0.5, 1.5, 2.5 and 3.5)
CDS-VDK-CER	Verification kit filter certificate

Verification Filter



Ready for Measurement



TruCell2 sensor verification kit accessory

Finesse Solutions, LLC
3350 Scott Blvd, Bldg 1
Santa Clara, CA 95054

Finesse Solutions AG
Via Sogn Gieri 27a
CH-7402 Bonaduz
Switzerland

877-204-8644
www.finesse.com