



Features

- **Single-use pressure sensor, cable and transmitter**
- **Self-calibrated for immediate use**
- **Wetted Materials USP Class VI**
- **Plug-and-play**
- **Easy-to-use**
- **Gamma radiation resistant to 50 kGy**

TruTorr

Single-use Headspace Pressure Sensor

The TruTorr™ pressure sensing system is a single-use solution for measuring headspace pressure in a single-use container in order to prevent damage from overpressure. The product consists of a disposable pressure sensor, a cable, and a transmitter that is seamlessly integrated into Finesse TruViu™ hardware (RDPD, PLSSmini or PLSS). The single-use sensor not only compensates for temperature, but is self-calibrated for immediate use, based on integrated, gamma-radiation-resistant memory chip technology. Simply attach the cable to the sensor, and set your TruBio® DV control system alarm levels or interlocks for bag overpressure, and start your process.

The single-use sensor can be pre-inserted in a disposable bioreactor bag port and irradiated with the bag, in order to both preserve and guarantee the sterile barrier. All wetted materials of the sensor are USP class VI compliant. Each sensor's certificate of compliance can be downloaded from the Finesse web site.



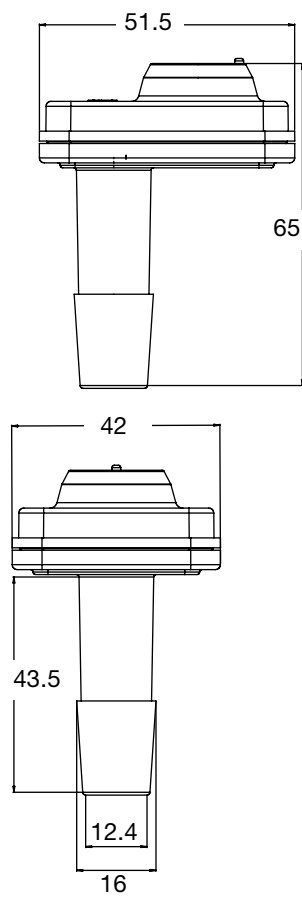
Environmental Specifications

Parameter	Units	Min	Typ	Max
Operating Temperature	°C	15		45
Operating Pressure	Psi (bar)		14.7 (1)	
Storage Temperature	°C	0	22	65
Storage Relative Humidity (non- condensing)	%	10	60	90
Altitude	ft (m)			10000 (3048)
Shock tolerance (non-operating)	shipping	JIS Z 0202:1994		
Vibration (50 to 500 Hz sinusoidal 0.25 octave/min)	G	3		

Performance Specifications

	Min	Max
Measuring Range (pressure gauge)	0 psi 0 bar	7 psi 0.48 bar
Drift	0.2 psig (0.0014 bar gauge) over 21 days	
Limit of Detection (psi)	0.01	
Accuracy at 20 °C	Accuracy (at 25°C): ±0.2 psig (±0.0014 bar gauge) or ±2% of the reading, whichever is greater (including drift 21 days)	
Response Time (sec)	≤ 2	
90% response (sec)	< 1	
Calibration	Pre-calibrated 1 point standardization optional through TruBio software	
Cross Sensitivity	None	
Temperature	Automatic compensation over operating range	

Physical Specifications



All dimensions in millimeters.

Finesse Solutions, LLC
71 Daggett Drive
San Jose, CA 95134

Finesse Solutions AG
Via Sogn Gieri 27a
CH-7402 Bonaduz
Switzerland

800-598-9515
www.finesse.com

TruTorr, TruViu and TruBio are trademarks of Finesse Solutions, LLC.
© Finesse Solutions, LLC, 2010.